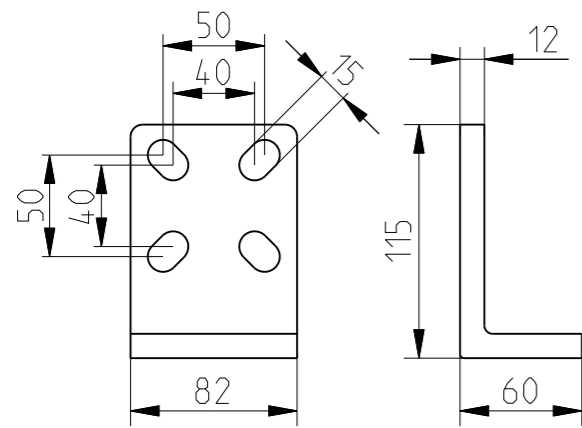
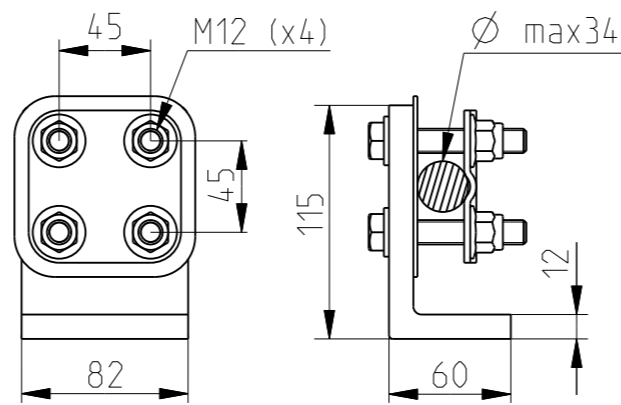


This document is issued by means of a computerized system. The digitally stored original is electronically approved. The approved document has a date entered in the "Approved"-field. A manual signature is not required.

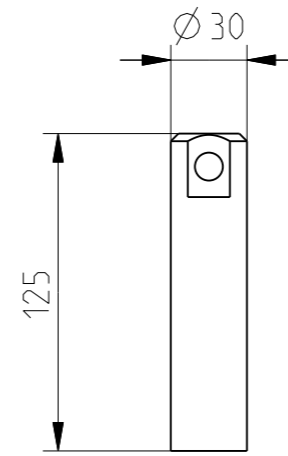
LINE TERMINAL (Can be adjusted to any angel)



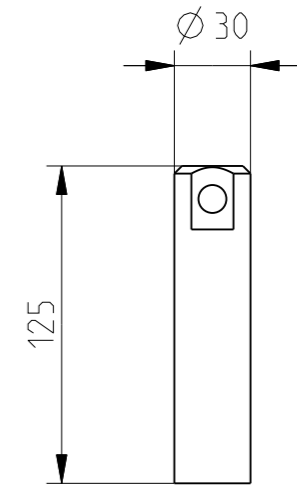
LINE TERMINAL
1HSA410000-L
Aluminium



LINE TERMINAL
1HSA410000-M
Aluminium with
stainless steel hardware

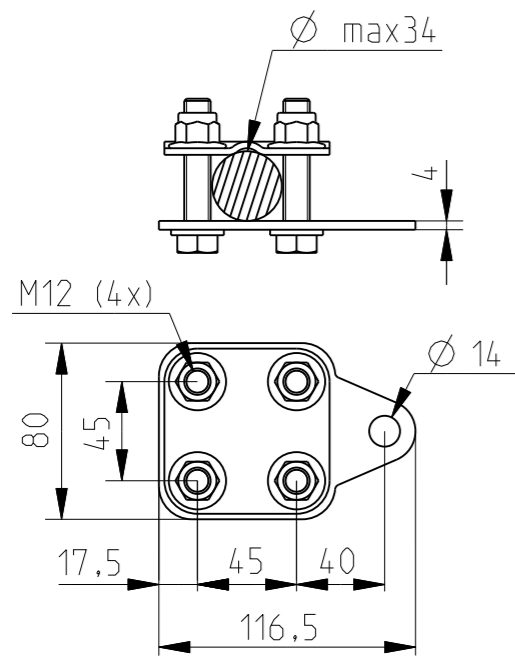


LINE TERMINAL
1HSA410000-N
Aluminium

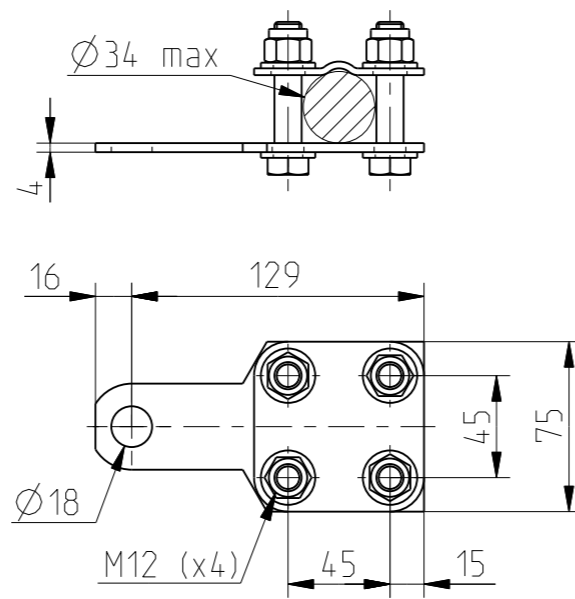


LINE TERMINAL
1HSA410000-P
Stainless steel

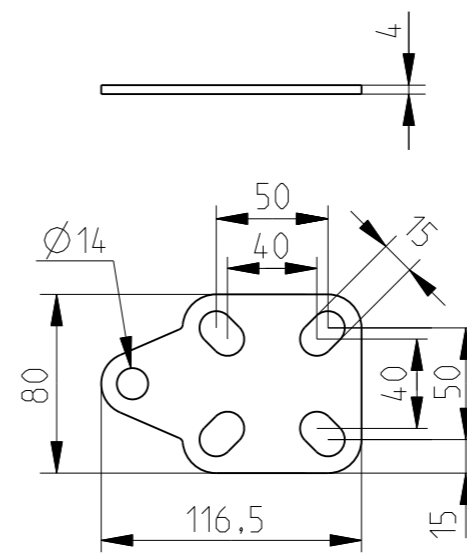
EARTH TERMINAL



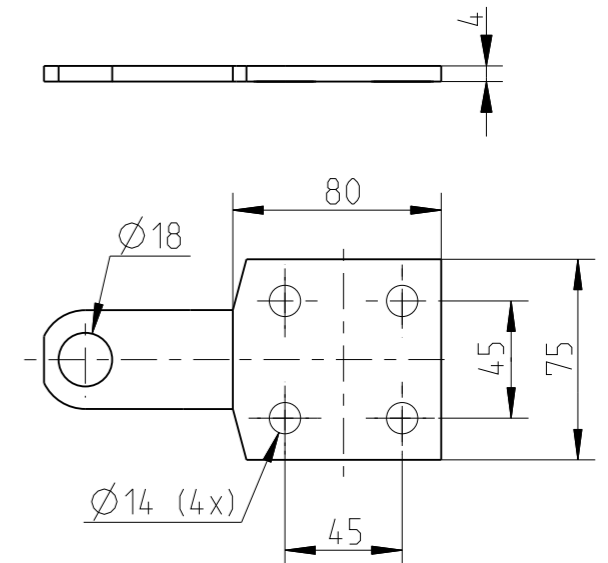
EARTH TERMINAL
1HSA420000-B
Stainless steel



EARTH TERMINAL
1HSA420000-U
Hot-dip galvanized steel
stainless steel hardware



EARTH TERMINAL
1HSA420000-A
Stainless Steel

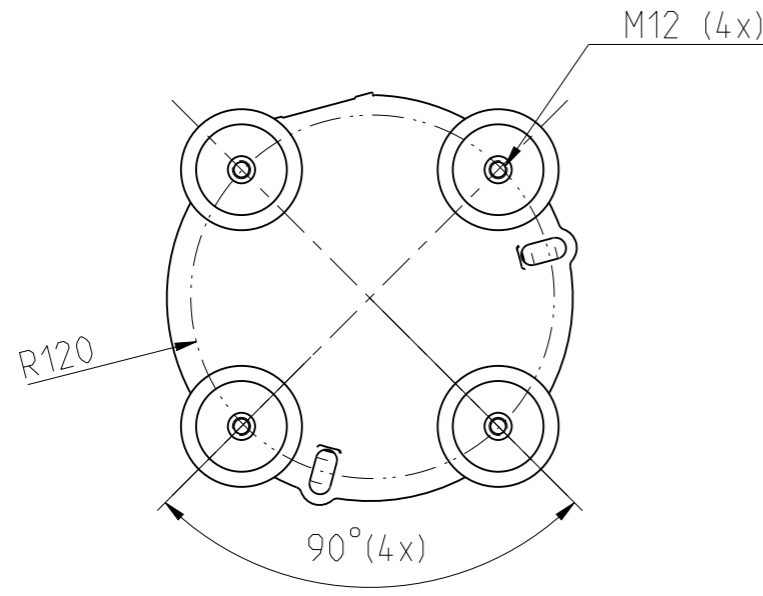


EARTH TERMINAL
1HSA420000-V
Hot-dip galvanized steel

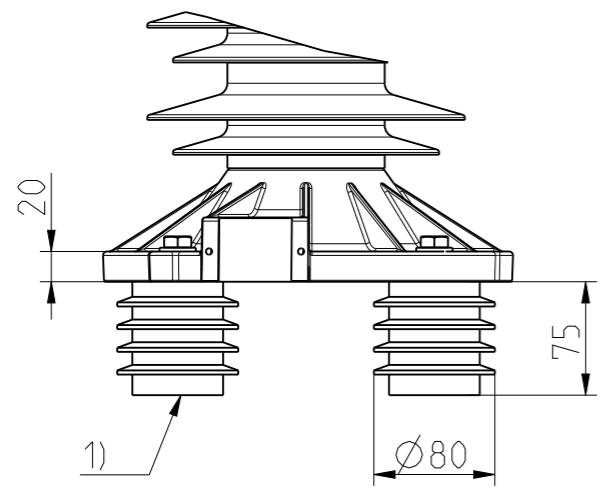
The information contained in this document has to be kept strictly confidential. Any unauthorized use, reproduction, distribution or disclosure to third parties are strictly forbidden. ABB reserves all rights regarding Intellectual Property Rights. © Copyright 2010 ABB Technology Ltd. All rights reserved.

PEXLIM P-Y, P-X, Q-X, Q-Y, R-Y, R-Z			
Prepared	2015-01-12	Responsible department	Title
K.Granlund		PPHC/AKO	DIMENSION DRAWING
Approved by	2015-01-13	Used in product	ACCESSORIES
H.Rannberg			
Revision	B PEXLIM Q-Y and R-Z added		Order
			1
ABB Technology Ltd			Document no.
			1HSA301000-D
			No. Shts. (2)

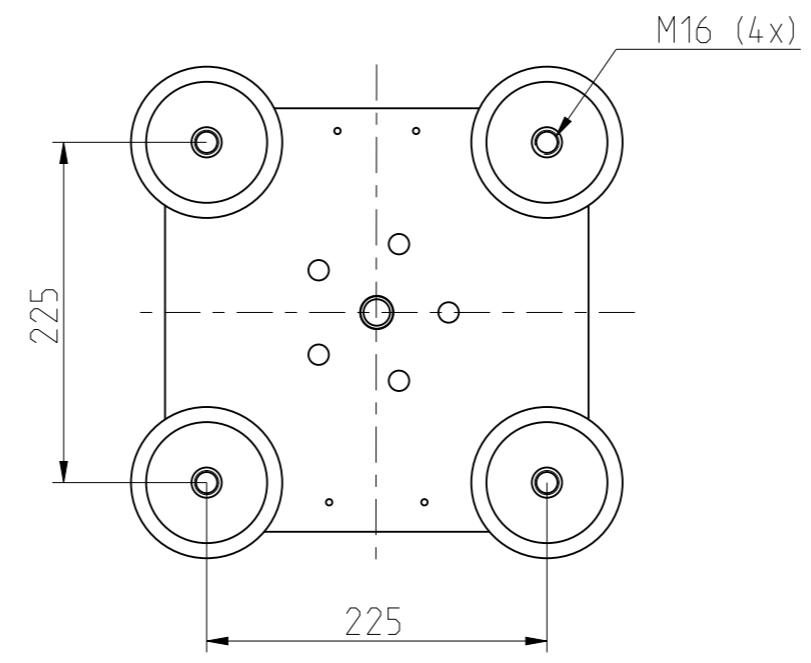
This document is issued by means of a computerized system. The digitally stored original is electronically approved. The approved document has a date entered in the "Approved"-field. A manual signature is not required.



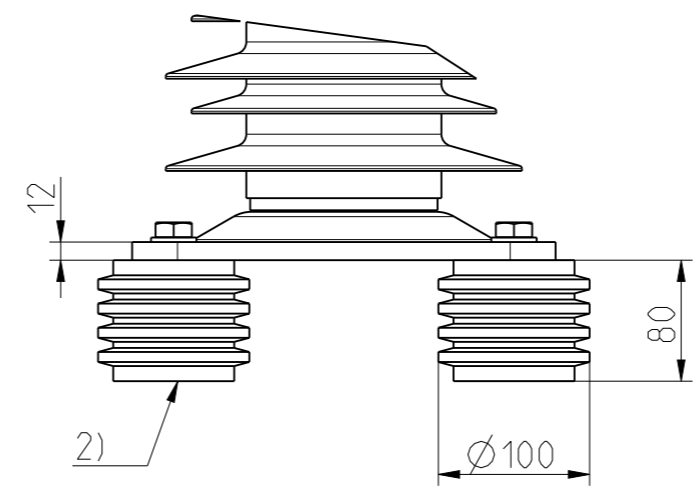
DRILLING PLAN



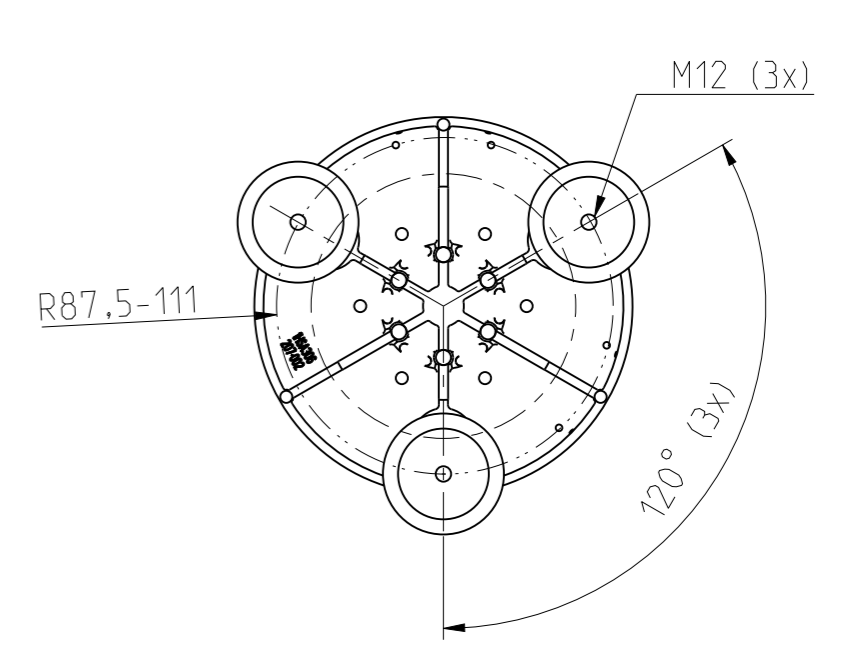
INSULATING BASE
1HSA430 000-A
(Epoxy resin)



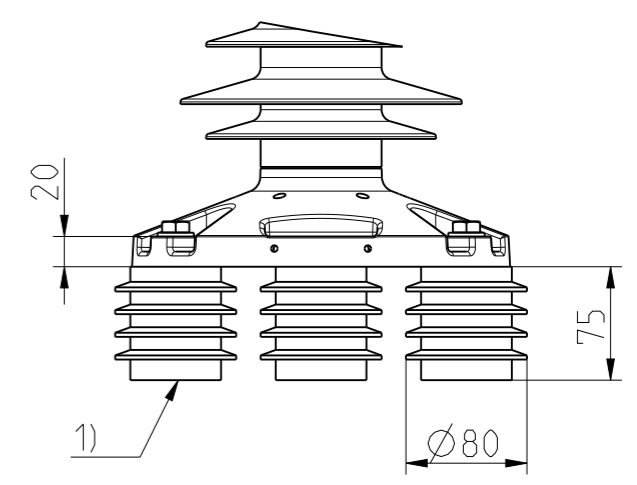
DRILLING PLAN



INSULATING BASE
1HSA430 000-C
(Epoxy resin,
Only for PEXLIM P-Y)



DRILLING PLAN



INSULATING BASE
1HSA430 000-H
(Epoxy resin,
Only for PEXLIM R-Y & R-Z)

1) M12 bolts for connection to structure are NOT supplied by ABB. Required threaded grip length is 15-20 mm.

2) M16 bolts for connection to structure are NOT supplied by ABB. Required threaded grip length is 15-20 mm.

PEXLIM P-Y, P-X, Q-X, Q-Y, R-Y, R-Z			
Prepared	2015-01-12	Responsible department	Title
K.Granlund		PPHC/AKO	DIMENSION DRAWING
Approved by	2015-01-13	Used in product	ACCESSORIES
H.Rannberg			
Revision	B PEXLIM Q-Y and R-Z added		Order
			2
ABB ABB Technology Ltd			Document no.
			1HSA301000-D
			No. Shts.
			(2)

The information contained in this document has to be kept strictly confidential. Any unauthorized use, reproduction, distribution or disclosure to third parties are strictly forbidden. ABB reserves all rights regarding Intellectual Property Rights. © Copyright 2010 ABB Technology Ltd. All rights reserved.