

Surge arrester type PEXLIM Q-Y

System voltage range 24 - 245 kV

Rated voltage kV	System voltage kV	A mm	B mm	C mm	D mm	Creepage distance mm	1) Mass kg	Fig.
024	YV 024	483				1363	18	1
030-036	YV 036	483				1363	18	
042-072	YV 052	743				2889	28	2
054-084	YV 072					2889	28	
075-084	YH	100				2889	27	2
075-096	YV					3740	35	
090-120	YH	123				3740	35	2
090-150	YV					4549	42	
108-120	YH	145	956			3740	34	2
108-150	YV		1147			4549	42	
162-168	YV		1431			5778	49	4
180	YV		1644			6629	57	
132-150	YH	170	1147			4549	40	3
132-168	YV		1431			5578	50	
180-192	YV		1644			6629	65	4
180-198	YH	245	1627	400	160	6629	57	
210-228	YH			1798	400	160	7438	63
180-198	YV	245	2028	800	400	8289	76	5
210-228	YV			600	300		73	

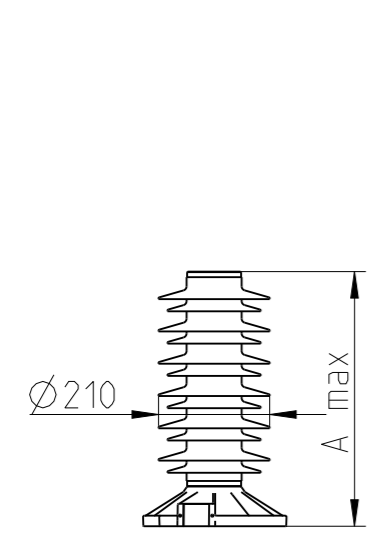


Figure 1

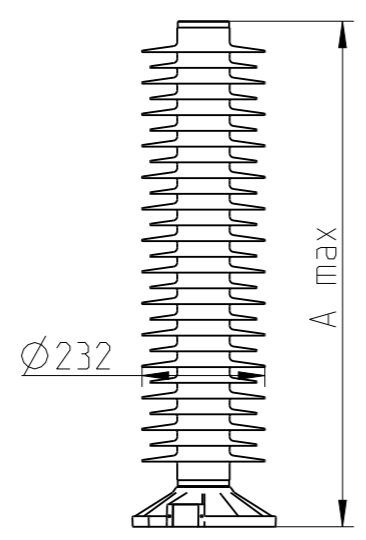


Figure 2

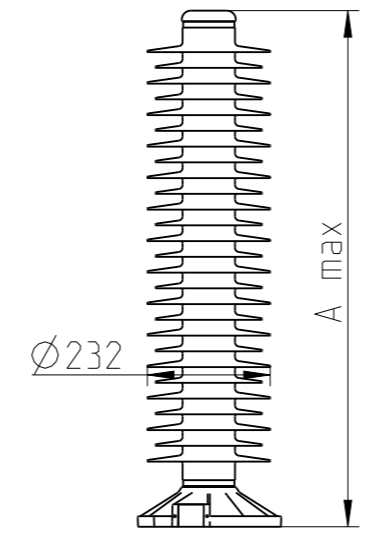


Figure 3

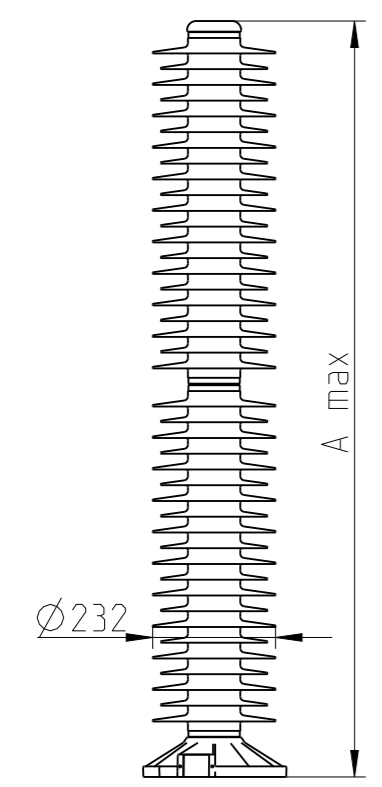


Figure 4

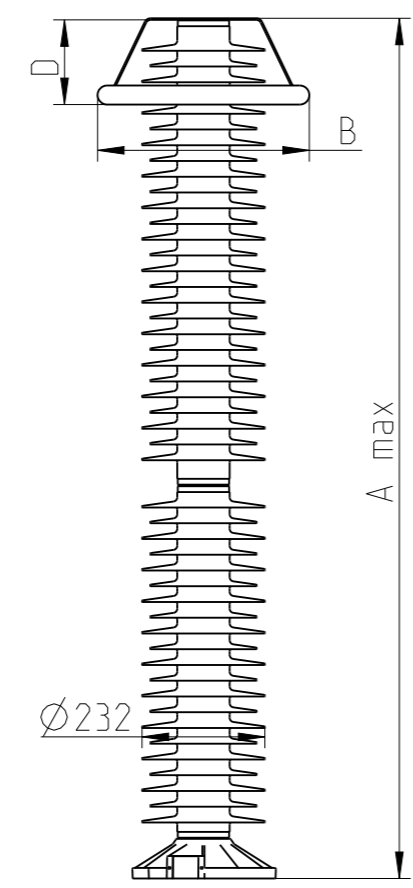
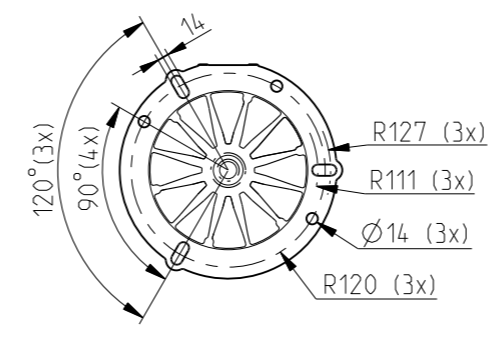
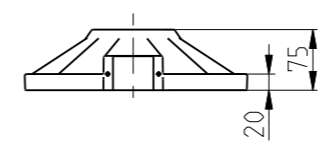


Figure 5



DRILLING PLAN



1) Including line terminal, earth terminal and grading ring arrangement.

Accessories on drawing 1HSA301000-D
 Surge counter on drawing 1HSA448100-A
 Surge arrester monitor EXCOUNT-II on drawing 1HSA440000-B

Comments 108-120 YH145 was figure 3.	Order -	Scale mm	Units mm	Format A3
Prepared 2015-05-28 K.Granlund	Based on -	SURGE ARRESTER DIMENSION DRAWING		Language en
Reviewed 2015-06-02 K.Granlund	Responsible department PPHC/AKO			Page 1 of 1
Approved 2015-06-02 H.Rannberg	Document kind Drawing			Revision B
ABB Technology Ltd		© Copyright 2015 ABB		Document id. 1HSA315000-CA