

This document is issued by means of a computerized system. The digitally stored original is electronically approved. The approved document has a date entered in the "Approved"-field. A manual signature is not required.

The information contained in this document has to be kept strictly confidential. Any unauthorized use, reproduction, distribution or disclosure to third parties are strictly forbidden. ABB reserves all rights regarding Intellectual Property Rights. © Copyright 2010 ABB Technology Ltd. All rights reserved.

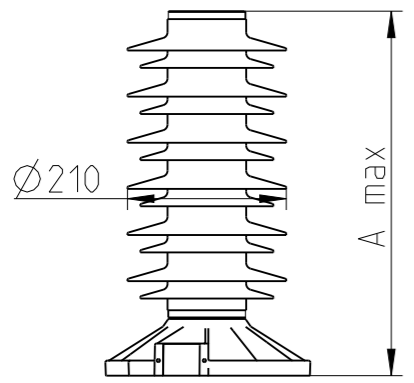


Fig. 1

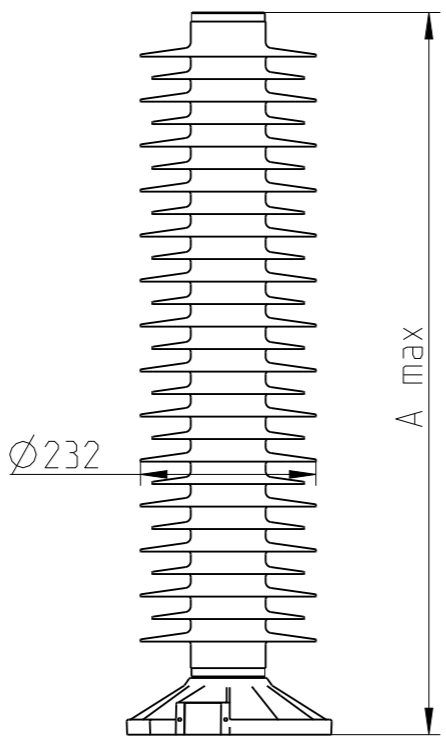
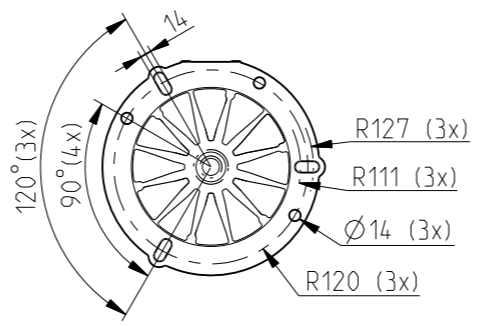
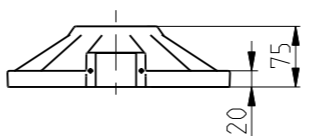


Fig. 2



DRILLING PLAN



Surge arrester type PEXLIM Q-Y

System voltage range 52 - 245 kV

Rated voltage kV	System voltage kV	A mm	B mm	C mm	D mm	Creepage distance mm	1) Mass kg	Fig.
030-036	YN 052	483				1363	18	1
042-054	YN 072	743				2889	28	2
060	YN 100	743				2889	28	2
072-084	YN 123	743				2889	27	2
090-120	YN	956				3740	35	
084	YN 145	743				2889	27	2
090-120	YN	956				3740	35	
096-120	YN 170	956				3740	34	2
132	YN	1127				4549	40	
108-120	YN 245	956				3740	34	2
132-144	YN	1127				4549	40	

1) Including line terminal, earth terminal and grading ring arrangement.

Accessories on drawing 1HSA301000-D
 Surge counter on drawing 1HSA448100-A
 Surge arrester monitor EXCOUNT-II on drawing 1HSA440000-B

Prepared K.Granlund 2014-12-30	Responsible department PPHC/AKO	Title DIMENSION DRAWING	
Approved by H.Rannberg 2015-01-02	Used in product	SURGE ARRESTER	
Revision A -	Order	Document no. 1HSA315000-CN	Language EN
			Sheet no. 1
			No. Shts. (1)