

EXCOUNT-II Surge Arrester Monitor

TRANSCIEVER MODULE

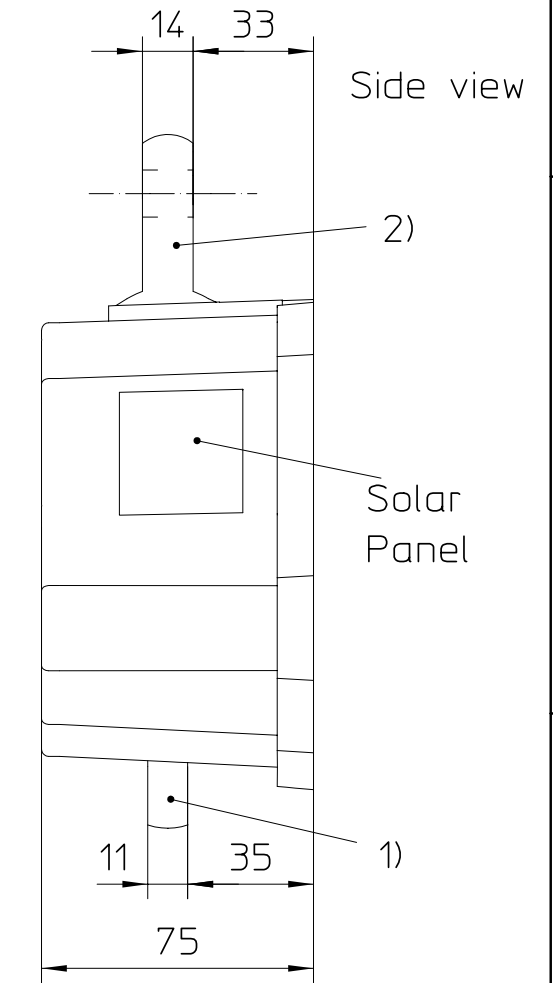
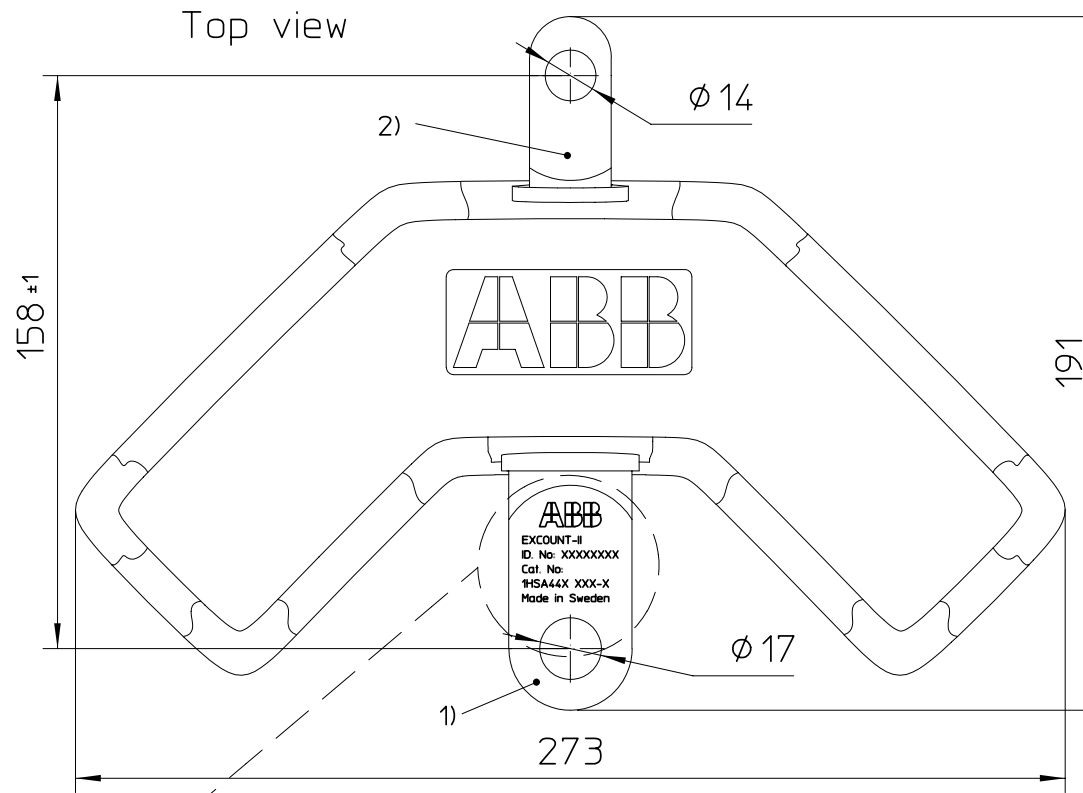
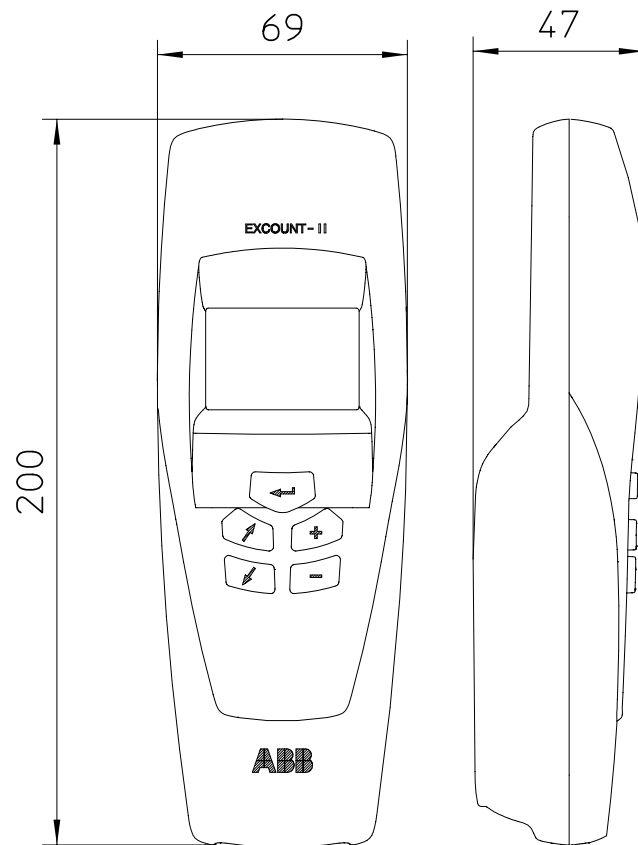
Including transceiver,
PC software* and Cable**

	Surge counting	Total current measurements	Resistive current measurements
1HSA442 000-A (868 MHz)	✓	✓	✓
1HSA442 000-C (868 MHz)	✓	✓	
1HSA442 000-D (916 MHz)	✓	✓	✓
1HSA442 000-E (916 MHz)	✓	✓	

SENSOR

1HSA441 000-A (868 MHz)
1HSA441 000-C (916 MHz)

TRANSCIEVER



- 1) Mounted on surge arrester flange (on existing hole)
- 2) Earth terminal, material aluminum

Housing material: Polymer

Alternative installation available for special applications.

Weight: 1,8 kg

* Compatible with Win95/Win98/ME/NT/Win2000

** RS232 interface
Length: 2 m

Note: EXCOUNT-II require an insulating base on the arrester

Prepared E Faxö 2004-11-10	Responsible department HV/AKK	Title DIMENSION DRAWING MÅTTSKISS EXCOUNT-II	Language en
Approved J Norberg 2004-11-10	Take over department		
Revision 2 Text magnified		Document no. 1HSA440 000-B	Sheet 1
ABB Power Technologies AB			Cont -

This document is issued by means of a computerized system. The digitally signed original is electronically approved. The approved document has a date entered in the Approved-field. A manual signature is not required.

We reserve all rights in this document and in the information contained therein. Reproduction, use or disclosure to third parties without express authority is strictly forbidden. ABB Power Technologies AB

Drawn by	Sheet
Design checked by	Year Week Cont.
	Rev and Dsgnt