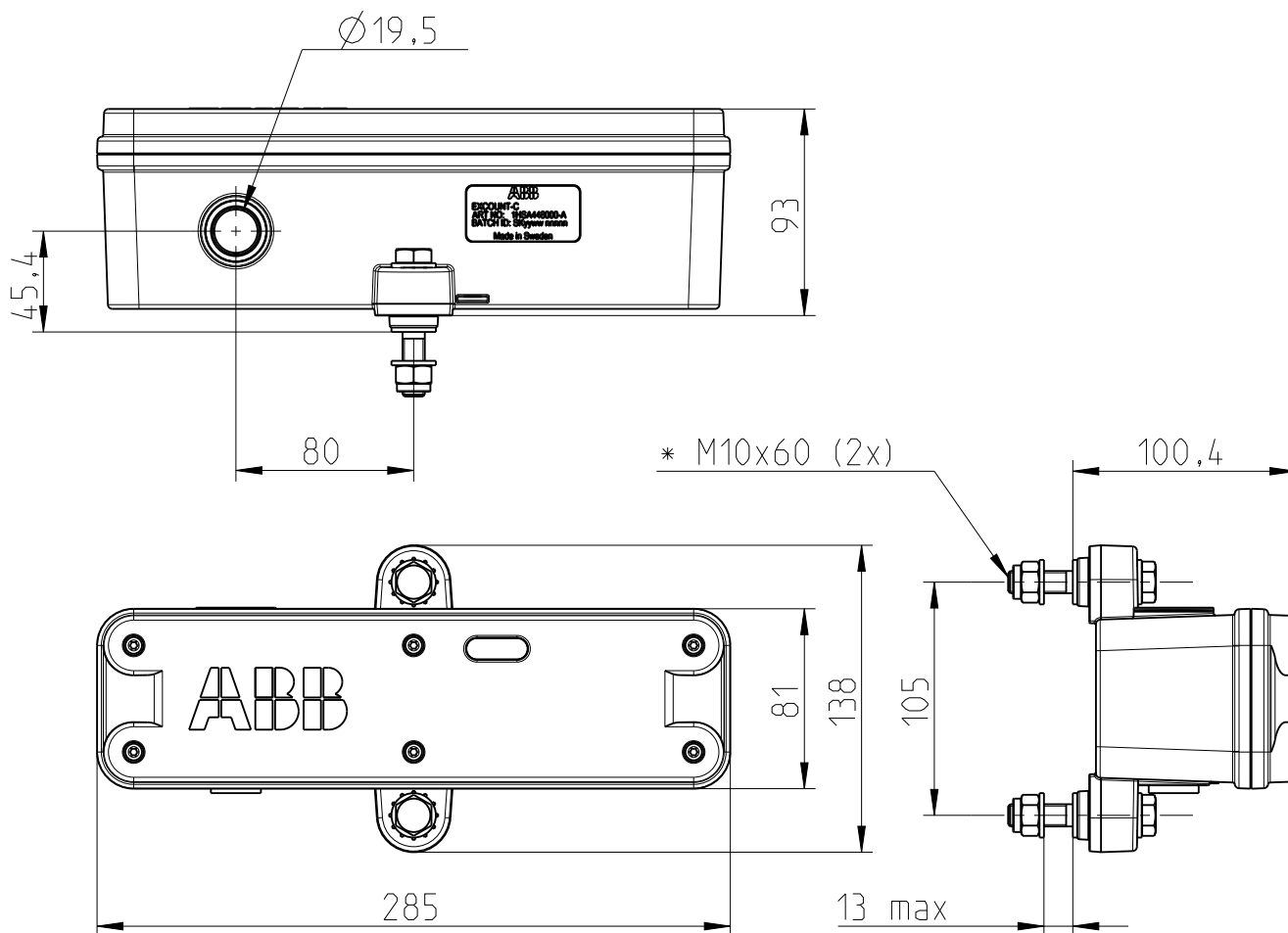


# SURGE COUNTER EXCOUNT-C 1HSA448000-A



\* Standard bolt set included.  
For mounting, see Assembly instruction 1HSA448900-003.

Material: PC/ASA Luran S KR 2864C  
Mass: 1.2 kg

Note: EXCOUNT-C require an insulating base on the arrester

Comments Label position moved		Order	Scale 1:40	Units mm	Format A4
Prepared 2014-10-09 K.Granlund	Based on	Title SURGE COUNTER EXCOUNT-C DIMENSION DRAWING			
Reviewed 2014-10-13 K.Granlund	Responsible department PPHC/AKO				Language en
Approved 2014-10-15 M.Larsson	Part lifecycle state PRODUCTION				Page 1 of 1
We reserve all rights in this document and in the information contained therein. Reproduction, use or disclosure to third parties without express authority is strictly forbidden. ABB Technology Ltd		© Copyright 2014 ABB	1HSA448100-A		Revision B